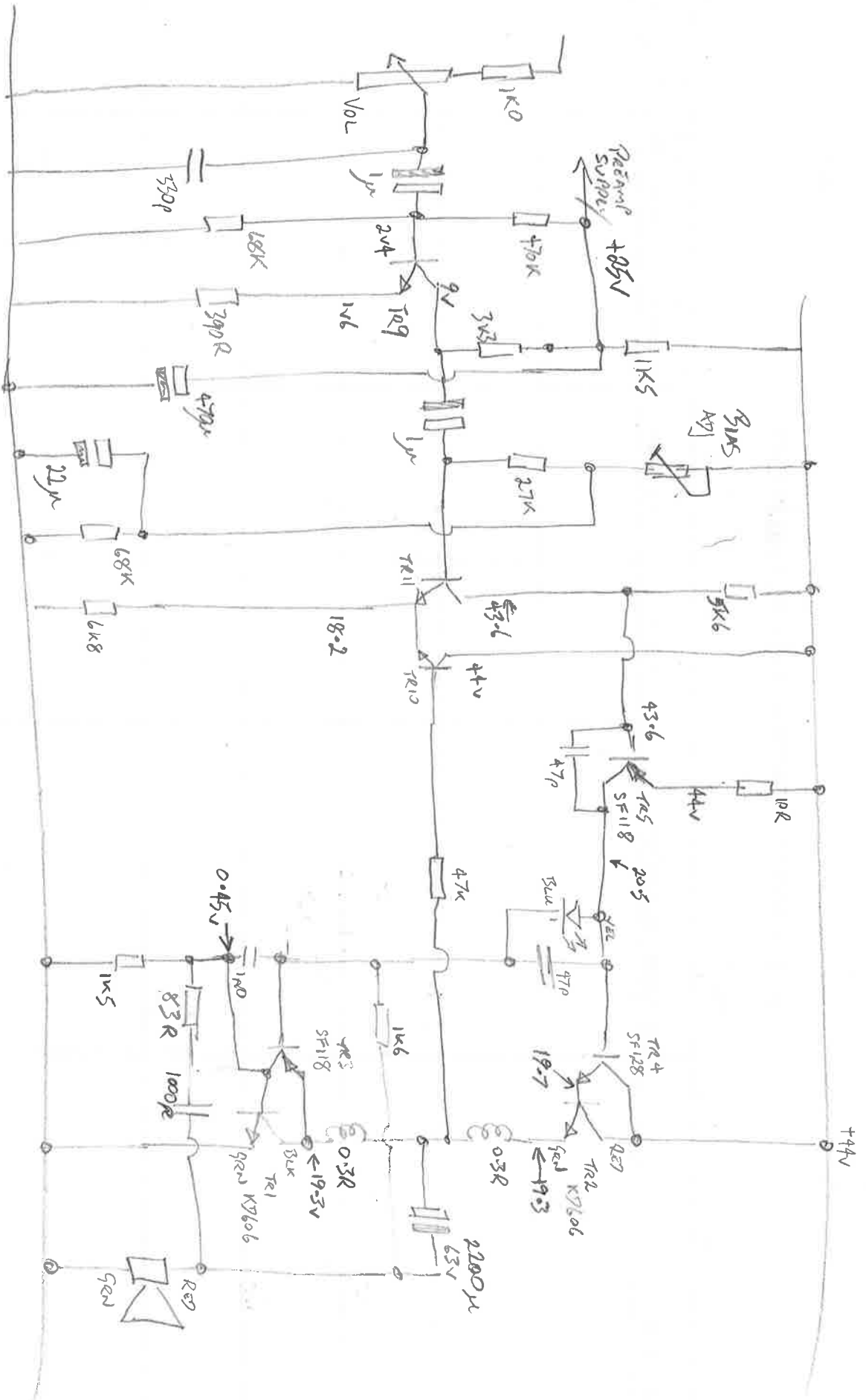


TR5 3-EGDAND
 SF118
 P=600mW
 Vce0 = 60V
 Ic 500mA

Main Amp



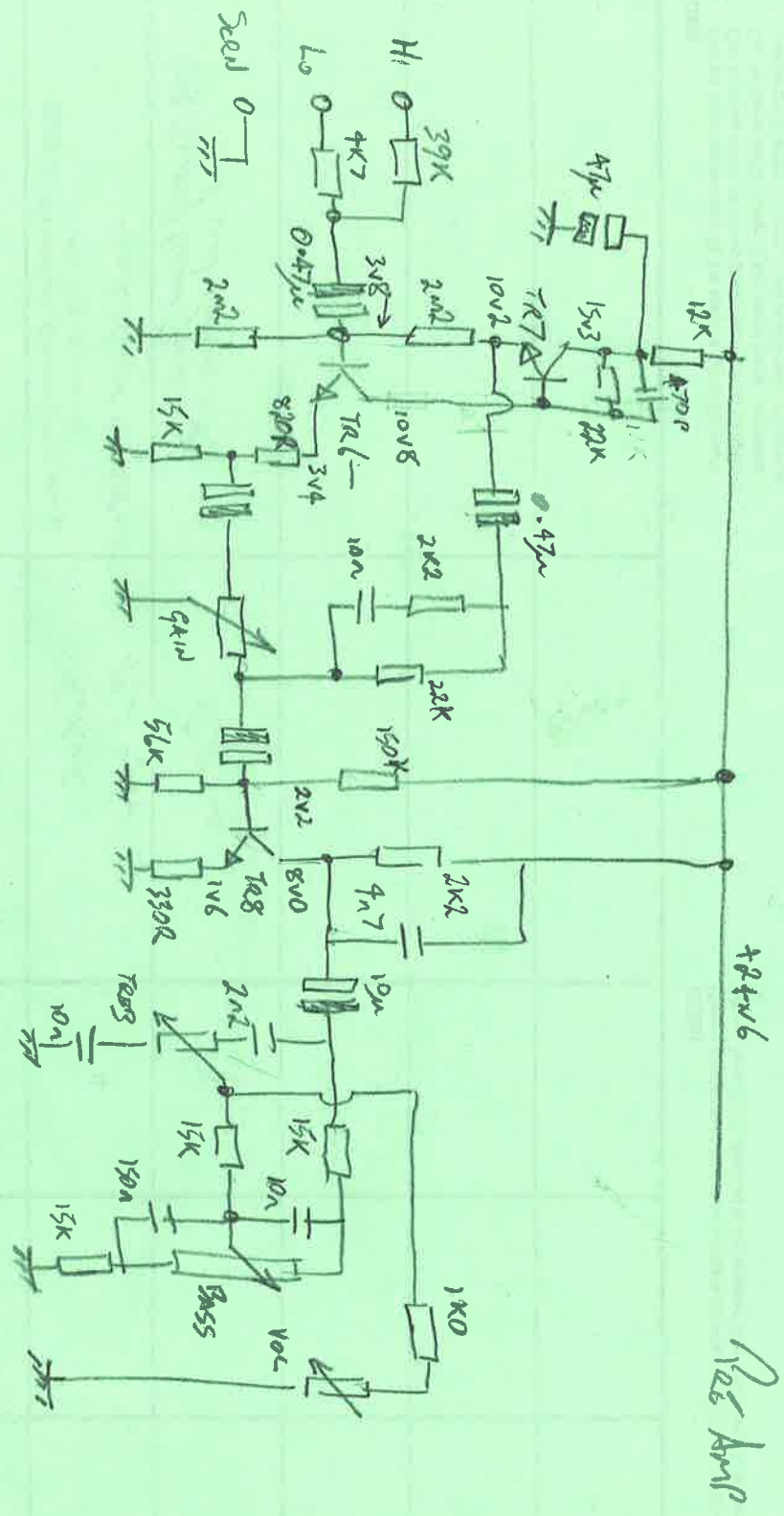
CE Amplifier

Q1	TR7
Q2	TR6
Q3	TR8
Q4	TR5

R1	39K
R2	4K7
R3	20K
R4	15K
R5	150K
R6	2K
R7	2K
R8	15K
R9	15K
R10	15K
R11	10K
R12	10K
R13	10K
R14	10K
R15	10K
R16	10K
R17	10K
R18	10K
R19	10K
R20	10K
R21	10K
R22	10K
R23	10K
R24	10K
R25	10K
R26	10K
R27	10K
R28	10K
R29	10K
R30	10K
R31	10K
R32	10K
R33	10K
R34	10K
R35	10K
R36	10K
R37	10K
R38	10K
R39	10K
R40	10K
R41	10K
R42	10K
R43	10K
R44	10K
R45	10K
R46	10K
R47	10K
R48	10K
R49	10K
R50	10K

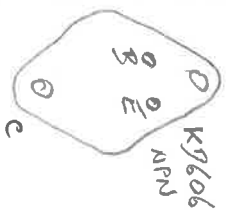
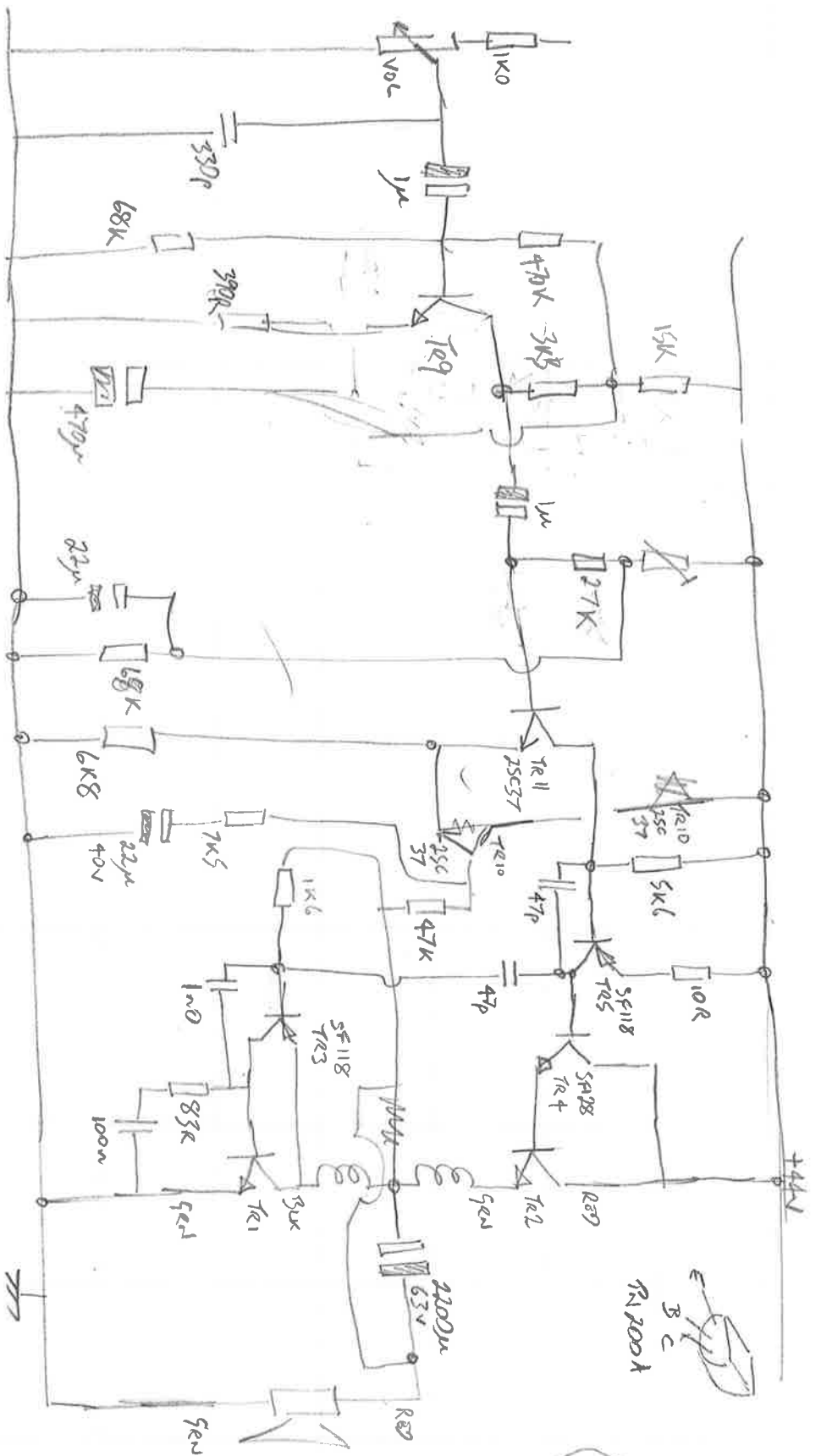
C1	470P
C2	150N
C3	100N
C4	100N
C5	100N
C6	100N
C7	100N
C8	100N
C9	100N
C10	100N
C11	100N
C12	100N
C13	100N
C14	100N
C15	100N
C16	100N
C17	100N
C18	100N
C19	100N
C20	100N
C21	100N
C22	100N
C23	100N
C24	100N
C25	100N
C26	100N
C27	100N
C28	100N
C29	100N
C30	100N
C31	100N
C32	100N
C33	100N
C34	100N
C35	100N
C36	100N
C37	100N
C38	100N
C39	100N
C40	100N
C41	100N
C42	100N
C43	100N
C44	100N
C45	100N
C46	100N
C47	100N
C48	100N
C49	100N
C50	100N

PROJECT REPORT ON ELECTRONICS



100 Amp

Power Complementing



在电路中各元件的

- 2SC39 NPN
- 2SC38 NPN
- 2SC37 NPN
- 0 0 0
- E B C

59912

